



ColdTech – Culinary Coolness

Highlights:

- Solid, durable, one door, high grade, 300 series, stainless steel interior & exterior (except backs) providing commercial kitchens with a long-lasting, easy to clean refrigerator.
- Digital temperature controls on the outside of the unit for easy programming.
1° C to 6° C/33° F to 43° F
- The **ColdTech Commercial** Warranty: 3 years bumper-to-bumper & a total of 5 years warranty on the compressor. Call **ColdTech Commercial** directly for repairs & service 24/7/365. It's the best warranty in commercial refrigeration.
- We make it easy. Recessed door handles for easy cleaning, auto-defrost, & free standing with four, black casters for easy moving.
- One movable, plastic coated, steel shelf holding up to 60 kg/132.3 lbs each.

Stainless Steel One Door Commercial Undercounter Refrigerator CUR063-27



Features:

- Large gross capacity of 6.25 cu. ft./ 177 L to get the maximum amount of refrigeration per cabinet size.
- Ventilated cooling system.
- North American standard safety & sanitation.
- Stainless steel drip tray under the evaporator.
- Net weight: 77 kg/169.8 lbs & Gross weight: 94 kg/207.2 lbs
- Efficient condenser and evaporator made from copper piping with aluminum fin for faster cooling and superior efficiency.
- Housing and liner material are durable, food safety friendly, high quality, 300 series stainless steel .
- Temperature ranges from 1° C to 6° C/33° F to 43° F



Watch Our Videos Online:
ColdTechCommercial.com/Videos

Stainless Steel

Solid, Durable high grade, 300-series, interior and exterior

Warranty

3 Years bumper to bumper & a total of 5 years warranty on the compressor

Digital Display

Digital temperature controls on the outside of the unit for easy programming

ColdTechCommercial.com
Toll free: 1-855-241-3251 FAX: 1-877-298-8278
email: info@coldtechcommercial.com





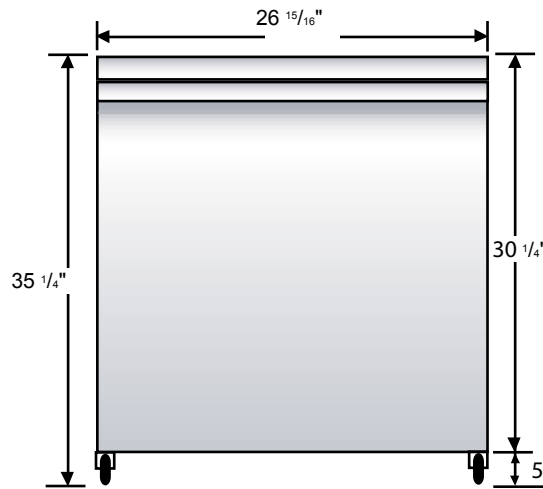
ColdTech – Culinary Coolness

Specifications:

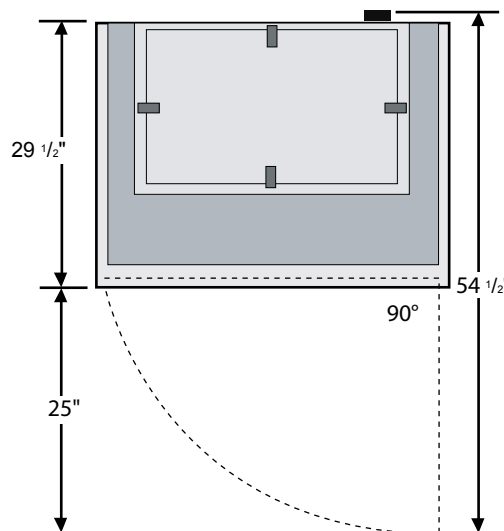
Voltage: 115 volts/20 amp circuit
 Amperage: 4.3 amps/385 W
 Compressor Power: 418 W
 Hp: 4/7 horsepower
 dB: 60
 Free Standing
 Gross Capacity: 6.25 cu. ft./177 L
 Refrigerant Type:
 CFC Free R134a
 Blowing Agent:
 CFC Free polyurethane
 Temperature Range:
 • 1° C to 6° C
 • 33° F to 43° F
 Thermostat/Temperature Display:
 Digital
 Doors: Self closing, recessed handles, 300 series stainless steel
 Shelving: Plastic coated steel holds up to 60 kg/132.3 lbs
 Casters: 4
 Cord Length: 112 3/16"/2850 mm
 Unit Dimensions (W x H x D):
 685 mm x 895 mm x 750 mm
 26 15/16" x 35 1/4" x 29 1/2"
 Carton Dimensions (W x H x D):
 755 mm x 980 mm x 820 mm
 29 3/4" x 38 9/16" x 32 5/16"
 Shipping Cube:
 21.54 cu.ft./0.61 cbm
 Net Weight: 77 kg /169.8 lbs
 Gross Weight: 94 kg /207.2 lbs

Stainless Steel One Door Commercial Undercounter Refrigerator CUR063-27

Elevation:



Top View:



Plug:



5-15p

Certifications:



Specifications subject to change without notice. 031612

ColdTechCommercial.com
 Toll free: 1-855-241-3251 FAX: 1-877-298-8278
 email: info@coldtechcommercial.com

